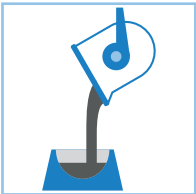


WAFER type series PWA-235



Temperature -15° - $+60^{\circ}$



Steel Industry



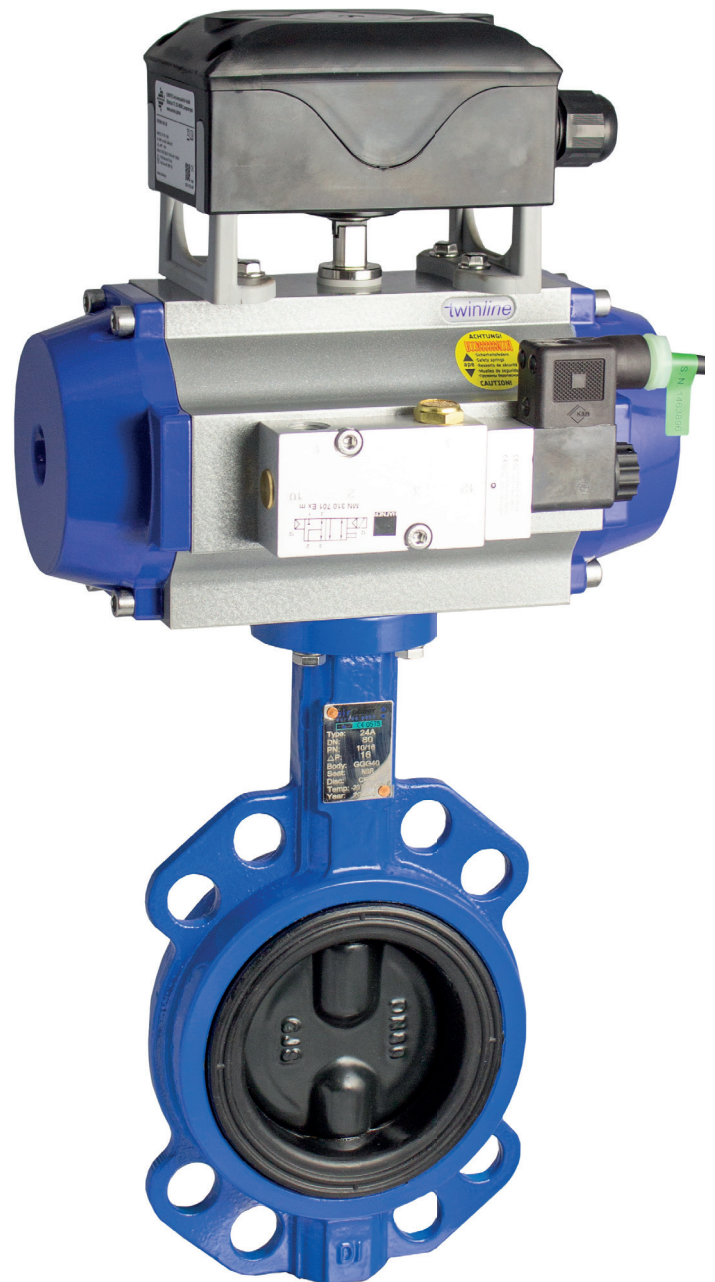
Renewable Energy
Technology



Industrial Combustion
Technology



DIN EN 161:2024-02



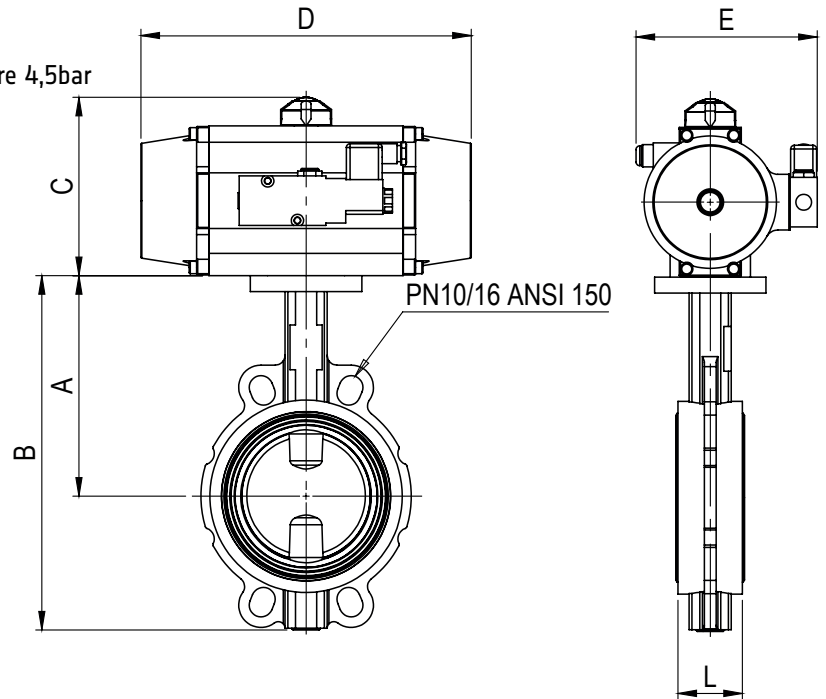
WAFER type series PWA-23S

Product description

- Safety-Butterfly valve, one piece body, centric disc/WAFER-type
- Butterfly valve, resilient seated (soft seated), for gas burners and gas applications acc. to EN 161:2024-02 suitable for Coke Gas (COG), Converter gas, Blast Furnace Gas (BFG), natural gas, biogas, oxygen and mixed gases
- Application On/ Off, Quick Shut Off $\leq 1 \text{ sec./}90^\circ$
- Pneumatic Actuator, Fail Closed, min. control pressure 4,5bar
- Face to face dimension acc. to EN 558-1 Series 20,
- Nominal size range: DN 50 - DN 400
- Flange connection: PN 6 / 10 / 16 / ANSI 150
- Tightness acc. to EN 12266-1, leakage rate A
- Nominal pressure range: max. 500 mbar

Materials:

- Body: GGG40 (EN-GJS-400)
- Disc: 1.4408/GGG40 E-CTFE coated
- Liner: NBR or FKM
- Shaft: 1.4021 (13Cr)
- Shaft sealing: O-Ring (NBR, FKM)



Dimensions sheet

DN/Size (mm)*	Standard actuator	A	B	C	D	E	F	L
50	AGS-010-08-G	140	218	122	187	130	-	43
65	AGS-010-08-G	152	232	122	187	130	-	46
80	AGS-018-09-G	159	250	132	218	140	-	46
100	AGS-025-09-G	178	285	144	270	147	-	52
125	AGS-045-09-G	190	320	163	294	166	-	56
150	AGS-055-09-G	203	345	178	308	188	-	56
200	AGS-090-09-G	238	405	210	397,5	205	-	60
250	AGS-130-09-G	268	475	225	459	219	-	68
300	APS-260-09-G	306	538	288	527	266	80	78
350	APS-390-09-G	340	633	322	598	300	80	78
400	APS-600-09-G	388	710	359	722	324	-	102

* Other nominal diameters available on request

For sizes DN300-DN350, mounting bridge and shaft adapter between butterfly vave and actuator.

